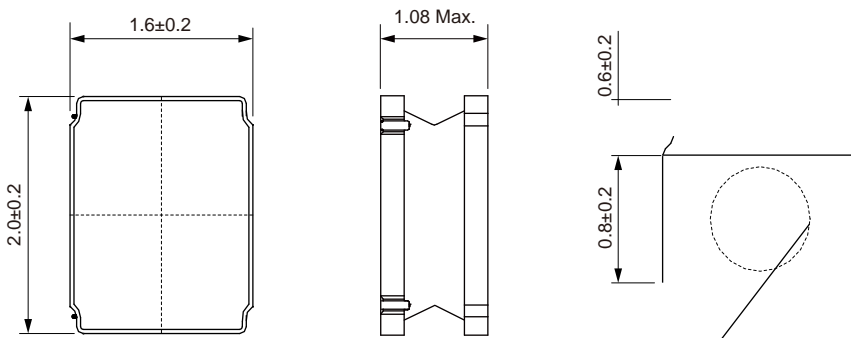




**NRSM Series**  
 Wire Wound SMD Power Inductor  
 Size 201610

Dimensions: [mm]

Land Pattern: [mm]



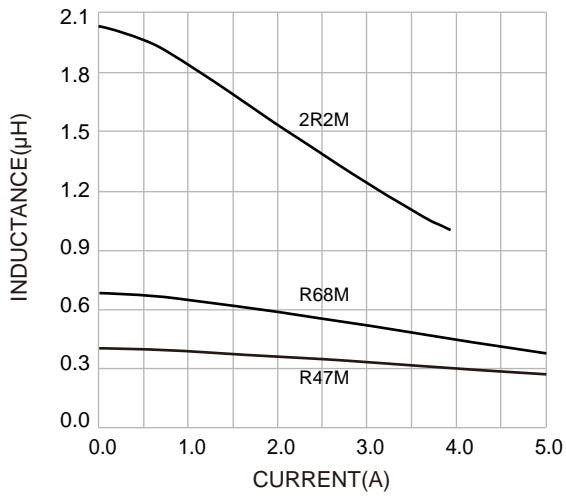
Electrical Properties:

	( $\mu$ H)				Satura on	Satura on	( )	( )



## Typical Electrical Characteristics:

Inductance VS. Current Characteristics:



Temperature Rise VS. Current Characteristics:

